

# DISH Pro Plus Separator

## Highlights

- Provides a single-cable connection from DISH Pro Plus receivers to DISH Pro Plus switches or LNBFs.

## Description

The DISH Pro Plus Separator is to be used in conjunction with a DISH Pro Plus switch or LNBF to connect the two satellite tuner inputs of a DISH Pro Plus (dual-tuner) receiver using one cable.

DISH Pro Plus (dual-tuner) receivers include:

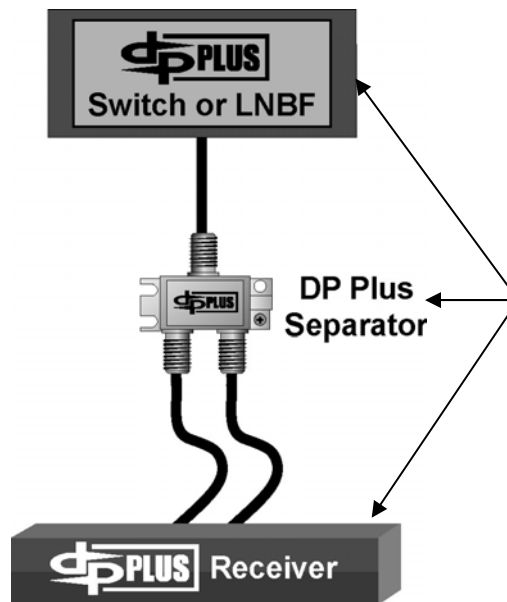
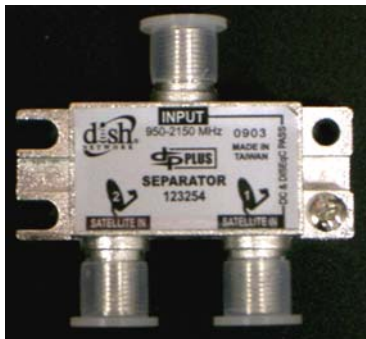
- DISH 322
- DISH Player-DVR 522
- DISH 721
- DISH Player-DVR 921
- Equivalent JVC and RCA models

## Features

- The "Input" port is used to connect to a DISH Pro Plus switch or LNBF.
- Two "Satellite In" ports are used to connect to a DISH Pro Plus dual-tuner receiver's two "Satellite In" ports.

## Installation Information

- See the "DISH Pro Plus Separator Installation Considerations" document for more details.



**For the single-cable dual-tuner advantage, all three components must be DISH Pro Plus.**

# DISH Pro Plus Separator

## Basics

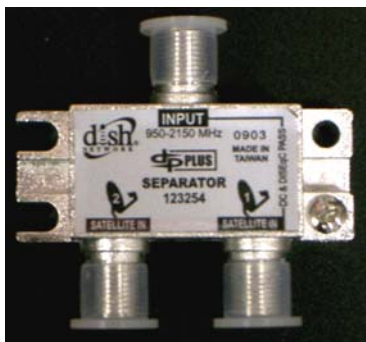
- Provides a single-cable connection from DISH Pro Plus receivers to DISH Pro Plus switches or LNBFs.

## Receiver Connectivity

- The DISH Pro Plus Separator must be used in conjunction with a DISH Pro Plus switch or LNBF to feed the satellite signal to both tuners of a DISH Pro Plus (dual-tuner) receiver for single-cable installations.
- The DP Plus Separator can only be used with DISH Pro Plus receivers and DISH 721. DISH Pro Plus receivers have a DISH Pro Plus logo.
- The DP Plus Separator cannot be used to connect two single-tuner receivers.
- The DP Plus Separator cannot be used with DISH Pro LNBFs or Switches to provide the single-cable benefit.
- If desired, the two satellite tuners of a DISH Pro Plus receiver can be connected to an LNBF or switch using two cables (instead of using a DP Plus Separator).

## Additional Information

- As with all DISH Pro installations, cable and components between the LNBFs, switches, DP Plus Separator and receivers must be rated to 2150 MHz and pass DiSEqC.
- Do not install the DP Plus Separator between diplexers.
- DISH Pro-approved splitters, diplexers, etc., cannot be substituted for a DISH Pro Plus Separator.



### Why can't I just use a DP-approved splitter?

Because it won't work!

- A splitter merely feeds the same signal to two places.
- 
- The DP Plus Separator was specially-designed to separate the single cable's 950-1450 MHz band and the 1650-2150 MHz band, for the single cable to two tuner "bandtranslating" technology.

